

## THERMODYNAMIC STEAM TRAPS DT40/2

### DESCRIPTION

The DT40/2 thermodynamic disc steam traps are compact and lightweight, easy to install traps, excellent for high pressure systems and steam tracing applications.

The insulation cover ensures a consistent operation and makes it particularly suitable for those applications where the weather conditions, such as rain and wind, may affect the normal operation. These traps offer a wide operating range, without adjustment and include a bimetal air vent ring which reduces start-up time by preventing air binding.

### MAIN FEATURES

- Intermittent discharge.
- Integral bimetallic air vent to avoid air blockage.
- Complete with insulation cover to reduce heat and efficiency losses.
- Operates on superheated steam.
- The seat and disc can be easily replaced in field without removing the trap from the line.
- Unaffected by water hammer and vibrations.
- Built-in easy-to-clean strainer.

USE: Saturated and superheated steam.

AVAILABLE MODELS: DT40/2 – stainless steel.

SIZES: 3/8" to 1"; DN 10 to DN 25.

CONNECTIONS: Female threaded ISO 7 Rp or NPT.  
Flanged EN 1092-1 PN 40.  
Flanged ASME B16.5 Class 150 or 300.  
Socket weld (SW) ASME B16.11.  
Butt weld (BW) ASME B16.25 on request.

INSTALLATION: Horizontal or vertical installation.  
See IMI – Installation and maintenance instructions.



CE MARKING – GROUP 2 (PED – European Directive)	
PN 63	Category
3/8" to 1" – DN 10 to 25	SEP

BODY LIMITING CONDITIONS				
FLANGED CLASS 150 **	FLANGED CLASS 300 **	FLANGED PN 40 *	THREADED / SW / BW *	RELATED TEMPERATURE
ALLOWABLE PRESSURE	ALLOWABLE PRESSURE	ALLOWABLE PRESSURE	ALLOWABLE PRESSURE	
15,3 bar	39,9 bar	40 bar	63 bar	50 °C
13,3 bar	34,4 bar	37,9 bar	57,3 bar	100 °C
11,1 bar	28,8 bar	31,8 bar	47,1 bar	200 °C
9,7 bar	25,2 bar	27,6 bar	40,5 bar	300 °C

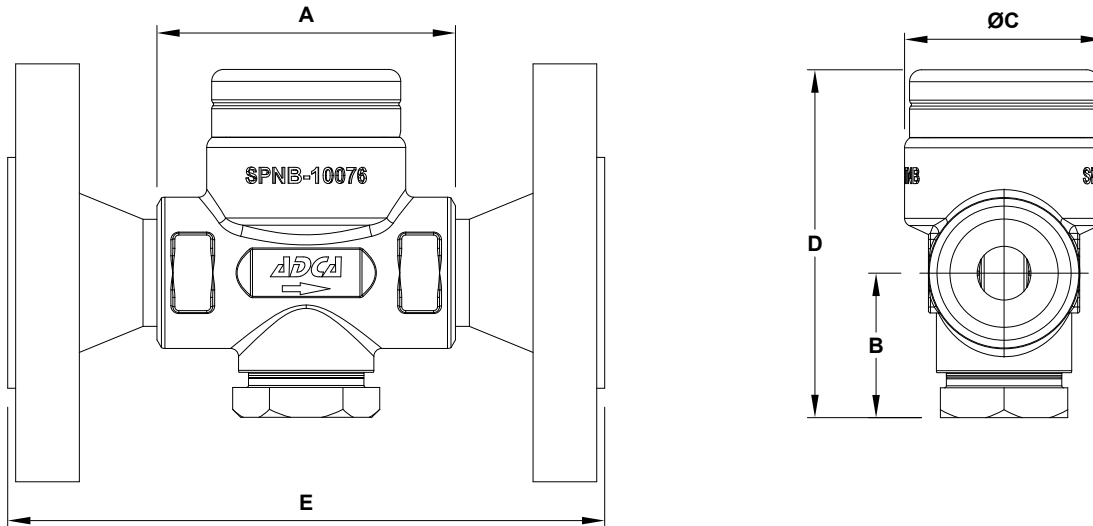
PMO – Maximum operating pressure: 40 bar; TMO – Maximum operating temperature: 300 °C.

\* According to EN 1092-1:2018; \*\* According to EN 1759-1:2004.

Body limiting conditions PN 63 or below, depending on the type of connection adopted.

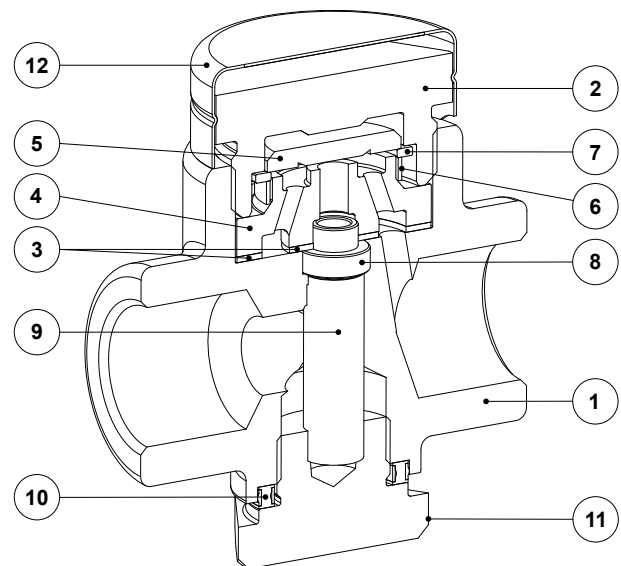
FLOW RATE CAPACITY (kg/h)														
MODEL	SIZE	DIFFERENTIAL PRESSURE (bar)												
		1,5	3	5	7	9	12	15	18	21	24	30	35	40
DT40/2 (Hot)	3/8" to 1" DN 10 to 25	70	100	130	175	190	200	225	240	250	270	290	300	310
DT40/2 (Cold)	3/8" to 1" DN 10 to 25	170	230	300	335	390	435	485	520	575	600	645	695	740

Minimum operating pressure: 1,5 bar; Maximum operating backpressure: 80% of upstream pressure.



DIMENSIONS (mm)											
SIZE	THREADED / SW					PN 40		CLASS 150		CLASS 300	
	A	B	ØC	D	WEIGHT (kg)	E	WEIGHT (kg)	E	WEIGHT (kg)	E	WEIGHT (kg)
3/8" to 1/2" DN 10 to 15	75	38	50	89	1,06	150	2,50	150	2,20	150	2,60
3/4" - DN 20	75	38	50	89	1,06	150	3,04	150	2,63	150	3,55
1" - DN 25	90	41	50	98	1,25	160	3,65	160	3,43	160	4,88

MATERIALS		
POS. N°	DESIGNATION	MATERIAL
1	Body	A351 CF8 / 1.4308
2	Cover	AISI 304 / 1.4301; AISI 303 / 1.4305
3	* Gasket	Stainless steel / Graphite
4	* Seat	Hardened stainless steel
5	* Valve disc	Hardened stainless steel
6	* Bimetal ring	Bimetal
7	* Washer support	AISI 304 / 1.4301
8	* Tube	AISI 304 / 1.4301
9	* Strainer screen	AISI 304 / 1.4301
10	* Gasket	Stainless steel / Graphite
11	Plug	AISI 304 / 1.4301; AISI 303 / 1.4305
12	Insulation cover	AISI 304 / 1.4301



\* Available spare parts.